

1 A
DRAWING NO. I.S. / HT

8 7 6 5 4 3 2 1

D

D

C

C

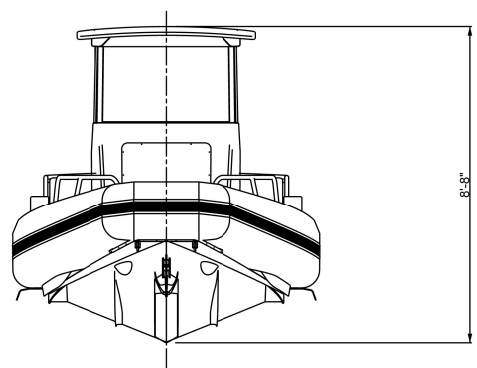
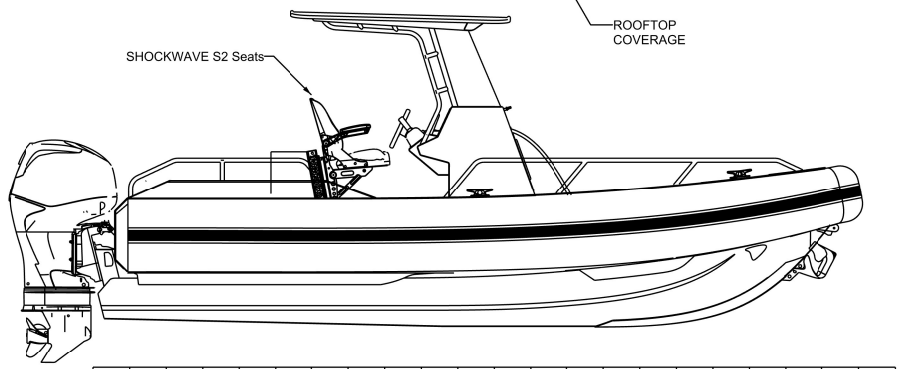
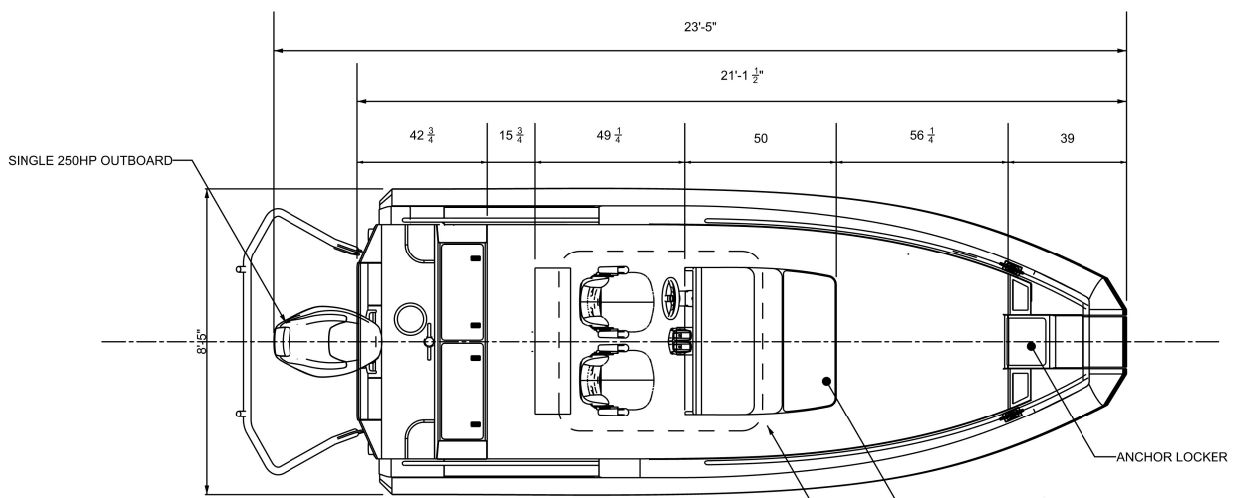
B

B

A

A

8 7 6 5 4 3 2 1



INVENTECH MARINE SOLUTIONS 8585 SW WARRIOR DR. BREMERTON, WA. 98312 PHONE: (360)674-7010 CONTRACT/PO NO.		BREMERTON, WA 98312 INVENTECH MARINE SOLUTIONS 21FT HT 21HT102-GA PROPERTY OF I.M.S CONCEPT ARRANGEMENTS	
DESIGNED: IMS /s/ 2017 DRAWN: DRWN SIG /s/ MM/DD/YY CHECKED: CHKD SIG /s/ MM/DD/YY APPROVED: APVD SIG /s/ MM/DD/YY RECIPIENT OF DRAWING MM/DD/YY APPVL SIG /s/ APPVL AUTH	SIZE: B SCALE: NTS	SPACE HOLDER: - I.M.S. DRAWING NO.	REV: A SHEET 1 OF 1

1 A
DRAWING NO. I.S. / HT

1 A
DRAWING NO. I.S. / HT